

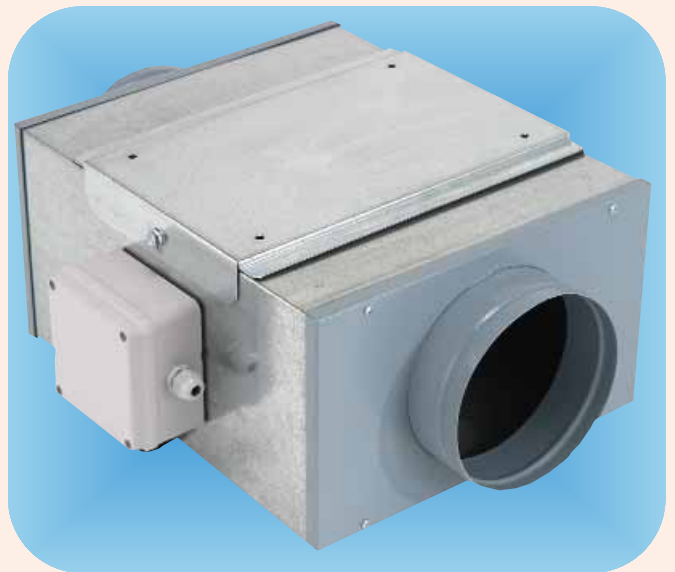
IN-LINE CENTRIFUGAL FANS

FOR INDUSTRIAL / COMMERCIAL USE

- "ACFB" - Acoustic Cabinet Fans - Belt Driven



Uniclass L7534



Vectaire L

e Contr



“ACFB” ACOUSTIC CABINET FANS - PERFORMANCE

“ACFB” Range - Acoustic Cabinet Fans

5 Belt-Driven Models

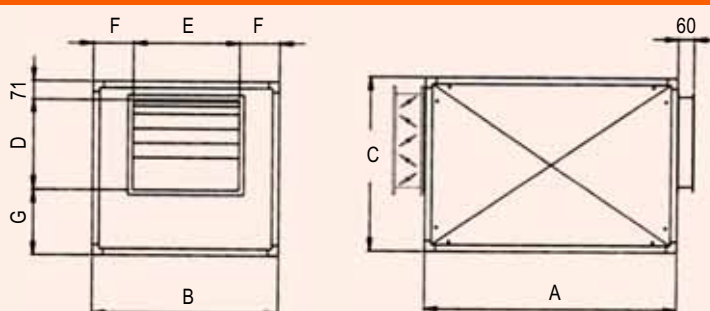
- Airflow from 6000 to 32000 m³/hr (1.67 to 8.9 m³/sec)
- Galvanised steel cabinet
- Acoustic technopolymer Class 1 lining
- Double inlet fan with forward curved blades driven by trapezoid belts with adjustable pulleys
- Three-phase motors
- IP55 Protection
- Max air temperature 60°C



“ACFB” ACOUSTIC CABINET FANS - PERFORMANCE

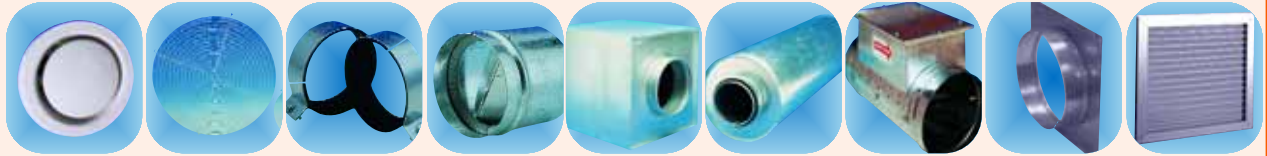
m ³ /hr x 1000	ACFB 15/15					ACFB 18/18				ACFB 500				ACFB 560				ACFB 630					
	6	7	8	9	10	10	12	14	16	16	18	20	22	24	22	24	26	28	26	28	30	32	
m ³ /sec	1.67	1.94	2.22	2.5	2.78	2.78	3.33	3.89	4.44	4.44	5.00	5.56	6.11	6.67	6.11	6.67	7.22	7.78	7.22	7.78	8.33	8.89	
air velocity m/sec	8.8	10.2	11.7	13.1	14.6	10.4	12.5	14.6	16.7	10.9	12.3	13.6	15.0	16.4	12.0	13.0	14.1	15.2	11.3	12.1	13.0	13.9	
100 pa	rpm	437	464	495	530	566	412	449	490	533	423	454	-	-	-	394	417	-	-	-	-	-	-
	kW	1.1	1.1	1.1	1.5	1.5	2.2	2.2	2.2	3	4	4	-	-	-	4	5.5	-	-	-	-	-	-
	db	45	47	50	52	54	52	55	56	58	58	60	-	-	-	60	61	-	-	-	-	-	-
150 pa	rpm	510	528	552	581	614	467	500	537	577	467	495	525	556	588	430	451	473	495	369	383	398	414
	kW	1.1	1.1	1.1	1.5	2.2	2.2	2.2	2.2	3	4	4	4	5.5	7.5	4	5.5	5.5	7.5	5.5	5.5	5.5	7.5
	db	47	49	51	53	55	53	55	57	59	59	60	60	63	65	60	62	62	63	56	57	59	60
200 pa	rpm	579	590	608	631	659	519	546	579	616	508	533	560	589	620	464	483	503	524	400	413	426	440
	kW	1.1	1.1	1.5	1.5	2.2	2.2	2.2	3	4	4	4	5.5	5.5	7.5	4	5.5	7.5	7.5	5.5	5.5	7.5	7.5
	db	48	50	52	54	55	53	56	57	60	59	61	61	63	65	61	62	62	64	57	58	60	61
250 pa	rpm	646	650	662	681	704	568	590	620	654	548	569	594	621	650	496	513	532	552	430	441	453	466
	kW	1.1	1.1	1.5	2.2	2.2	2.2	2.2	3	4	4	4	5.5	7.5	7.5	5.5	5.5	7.5	7.5	5.5	7.5	7.5	7.5
	db	49	51	53	55	56	54	56	58	60	60	61	62	64	65	61	63	63	64	58	59	60	62
300 pa	rpm	710	708	715	729	748	616	632	658	690	587	605	627	652	679	527	543	560	578	460	469	480	491
	kW	1.1	1.5	1.5	2.2	2.2	2.2	2.2	3	4	4	4	5.5	7.5	7.5	5.5	7.5	7.5	9.2	5.5	7.5	7.5	9.2
	db	51	52	54	56	57	55	57	58	61	60	62	62	64	65	62	63	63	64	59	60	61	62
350 pa	rpm	771	765	767	776	771	662	673	696	724	625	640	659	682	-	558	571	587	604	489	496	505	516
	kW	1.1	1.5	2.2	2.2	3	2.2	3	4	5.5	4	5.5	5.5	7.5	-	5.5	7.5	7.5	9.2	7.5	7.5	7.5	9.2
	db	52	53	55	56	57	56	57	58	62	61	62	63	64	-	63	64	64	65	60	61	62	63
400 pa	rpm	828	820	818	823	835	706	714	732	758	661	674	691	712	-	587	599	613	629	517	523	531	540
	kW	1.5	1.5	2.2	2.2	3	2.2	3	4	5.5	4	5.5	7.5	7.5	-	7.5	7.5	9.2	9.2	7.5	7.5	9.2	11
	db	53	54	56	57	58	56	57	59	62	61	63	64	65	-	63	65	65	66	60	61	63	63
450 pa	rpm	882	872	867	869	878	750	753	767	790	697	707	722	741	-	616	627	639	-	544	549	556	564
	kW	1.5	2.2	2.2	3	3	3	3	4	5.5	5.5	5.5	7.5	7.5	-	7.5	7.5	9.2	-	7.5	9.2	9.2	11
	db	55	55	57	58	59	57	58	59	62	62	63	64	65	-	64	65	65	-	61	62	63	64
500 pa	rpm	934	923	916	914	920	792	791	802	822	732	740	753	-	-	645	653	665	-	571	575	580	587
	kW	2.2	2.2	2.2	3	3	3	4	4	5.5	5.5	5.5	7.5	-	-	7.5	9.2	9.2	-	7.5	9.2	9.2	11
	db	56	56	58	59	60	57	58	59	62	63	64	65	-	-	65	66	66	-	62	63	63	65
550 pa	rpm	983	972	962	959	-	833	828	836	854	765	772	783	-	-	672	680	-	-	597	600	604	610
	kW	2.2	2.2	3	3	-	3	4	5.5	5.5	5.5	7.5	7.5	-	-	7.5	9.2	-	-	9.2	9.2	11	11
	db	56	57	59	60	-	58	59	60	63	64	65	66	-	-	66	67	-	-	63	64	64	65

“ACFB” ACOUSTIC CABINET FANS - DIMENSIONS (mm)



Model	ACFB 15/15	ACFB 18/18	ACFB 500	ACFB 560	ACFB 630
A	1100	1265	1400	1650	1760
B	900	1100	1200	1350	1500
C	760	900	1070	1190	1314
D	400	480	630	700	800
E	470	560	630	700	800
F	215	270	285	325	350
G	289	349	369	419	443
KG	120	165	195	350	460

ACCESSORIES



Size		Air Valve (1)	Protection Guard	Duct Clamp	Backdraught Shutter	Filter Cassette	Silencer	Duct Heater	Spigot Plate	Door Transfer Grille
in	cm									
4	10	VAV4	CILG100	CILDC100	GS100	AFC100	SIL100	DH100-0.8kw	SPL100	-
5	12	VAV5	CILG125	CILDC125	GS125	AFC125	SIL125	DH125-1.2kw	SPL120	-
6	15	VAV6	CILG150	CILDC150	GS150	AFC150	SIL150	DH150-1.2kw	SPL150	NVGD6
8	20	VAV8	CILG200	CILDC200	GS200	AFC200	SIL200	DH200-2.5kw	SPL200	NVDG8
10	25	-	CILG250	CILDC250	GS250	AFC250	SIL250	DH250-3.0kw	SPL250	NVDG10
12	31	-	CILG315	CILDC315	GS315	AFC315	SIL315	DH315-4.5kw	SPL300	NVGD12
14	35	-	CILG355	CILDC355	GS355	AFC350	SIL350	DH350-6.0kw	SPL350	NVGD14
16	40	-	-	-	-	AFC400	SIL400	DH400-11kw	SPL400	NVGD16
18	10	-	-	-	-	AFC450	SIL450	DH450-12kw	SPL450	NVGD18
20	20	-	-	-	-	AFC500	SIL500	DH500-15kw	SPL500	NVGD20



Size		Flexible Ducting(2)	Worm Drive Clips	Duct Joining Piece	T Section	Y Piece	Flexible Duct Connector(3)	Egg Crate Grille		Single Deflection Grille	
in	cm							Standard	Damper	Standard	Damper
4	10	VFD4/6	WDC4	DJP4	TP4	YP4	-	-	-	-	-
5	12	VFD5/6	WDC5	DJP5	TP5	YP5	FLC125	-	-	-	-
6	15	VFD6/6	WDC6	DJP6	TP6	YP6	FLC150	ECG6	ECGD6	SD6	SDD6
8	20	VFD8/6	WDC8	DJP8	TP8	YP8	FLC200	ECG8	ECGD8	SD8	SDD8
10	25	VFD10/6	WDC10	DJP10	TP10	-	FLC250	ECG10	ECGD10	SD10	SDD10
12	31	VFD315/6	WDC12/16	DJP12	TP12	-	FLC310	ECG12	ECGD12	SD12	SDD12
14	35	VFD14/6	WDC12/16	DJP14	-	-	FLC350	ECG14	ECGD14	SD14	SDD14
16	40	VFD16/6	WDC12/16	DJP16	-	-	FLC400	ECG16	ECGD16	SD16	SDD16
18	45	VFD18/6	WDC18/22	DJP18	-	-	FLC450	ECG18	ECGD18	SD18	SDD18
20	50	VFD20/6	WDC18/22	DJP20	-	-	FLC500	ECG20	ECGD20	SD20	SDD20



Size		Multi Spigot Box(4)	Grille Box(5)		Gravity Shutter(6)	External Louvre(7)	Wall Cowl	Roof Terminal		Anti Vibration Mounts	
in	cm		Top	Side				Standard	Shutters	Standard	Spring
4	10	MSB4/-	-	-	GG4	FG4	VWC	-	-	AVM1	AVMS
5	12	MSB5/-	-	-	GG5	FG5	VWC	-	-	AVM1	AVMS
6	15	MSB6/-	GB6/4	GBS6/4	GG6	FG6	VWC	-	-	AVM1	AVMS
8	20	MSB8/-	GB8/6	GBS8/6	GG20	FGS8	-	RT200	RTS200	AVM1	AVMS
10	25	MSB10/-	GB10/6	GBS10/6	GG25	FGS10	-	RT200	RTS200	AVM1	AVMS
12	31	MSB12/-	GB12/8	GBS12/8	GG31	FGS12	-	RT300	RTS300	AVM1	AVMS
14	35	MSB14/-	GB14/10	GBS14/10	GG35	FGS14	-	RT350	RTS350	AVM1	AVMS
16	40	MSB16/-	GB16/12	GBS16/12	GG40	FGS16	-	RT400	RTS400	AVM1	AVMS
18	45	MSB18/-	GB18/-	GBS18/-	GG45	FGS18	-	RT400	RTS400	AVM1	AVMS
20	50	MSB20/-	GB20/-	GBS20/-	GG50	FGS20	-	RT500	RTS500	AVM1	AVMS

- (1) VAV4 and VAV5 also available in chrome, steel and with integral fire damper. VAV6 also available in chrome and steel.
 (2) Vectaire Flexible Ducting available in different lengths. Insulated aluminium and acoustic aluminium flexible ducting also available.
 (3) For use with circular, rigid ducting
 (4) Code represents size of main and side branches, e.g MSB12/10 is 12" main and 10" side branches.
 (5) First number represents Grille Box size, second number duct diameter (both sizes in inches) - other size/diameter combinations available
 (6) 10, 12 and 15cm Gravity Shutters plastic - other sizes with metal frame and plastic louvres.
 (7) 10, 12 and 15cm External Louvres plastic - all other sizes aluminium with birdscreen
 N.B - all grilles and grille boxes available in larger sizes.

Vectaire Ltd
 Lincoln Road
 Cressex Business Park
 High Wycombe
 Buckinghamshire
 HP12 3RH
 Tel: +44 (0)1494 522333
 Fax: +44 (0)1494 522337
 Email: sales@vectaire.co.uk
 www.vectaire.co.uk

